

Smooth Spread 950

INSTRUCTIONS

Read and understand all information below before installation. If there are any questions, please call **Elegance Exotic Wood Flooring at 909-980-5066**. It is the responsibility of the installer to determine proper drying time of the adhesive, how much set up time is needed for the adhesive, applicable trowel size for the product being installed and acceptability of subfloor conditions. The time it takes for the adhesive to cure is related to temperature, humidity, porosity of the subfloor, ventilation and air movement.

Smooth Spread 950 is moisture resistant, however, to prevent damage to the flooring from subfloor moisture, carefully follow the wood manufacturer's instructions.

APPROVED SUBFLOORS

- Plywood
- Terrazzo and ceramic tile
- Concrete; above, on or below grade
- Underlayment grade O.S.B.
- A.P.A. PS2-92 rated particleboard
- Vinyl tile flooring coated with vinyl primer
- Non-cushioned fully adhered sheet vinyl coated with vinyl primer
- Light weight concretes (coated with latex primer)

GENERAL SUBFLOOR PREPARATION

- **Preparation** - All floors should be flat to within 3/16" in 10 ft. or 1/8" in 6 ft.
- **Smooth and Flat** - Remove any high spots with a terrazzo grinder or sander and fill any low spots with a good quality cementitious-based latex patch mix.
- **Clean** - It is recommended that all concrete, sheet vinyl, vinyl tile, terrazzo and ceramic tile sub floors be scoured with #3-1/2 open coat (20 grit) sandpaper to remove dirt or any surface contamination such as paint, grease, oil, sealers, waxes and curing compounds. **Smooth Spread 950** adhesive should not be used over these substances. Sweep or vacuum the subfloor before installation.

CONCRETE SUBFLOORS

Concrete should be at least 60 days old. Inspect the concrete before installing flooring over it. First inspect for any wetness at the base of the drywall or for visible signs of moisture on the concrete. Second, test for moisture. Use a Tramex Concrete Moisture Encounter meter for reliable concrete testing. The Tramex meter should be pressed firmly to the subfloor for an accurate reading. The maximum reading on concrete for wood installations should not exceed Manufacturer's recommendations. Many wood flooring products can be installed over lightweight concrete (less than 3000 PSI) providing the surface is properly prepared. Follow the concrete manufacturer's recommendation for the application of a surface hardener/sealer. Radiant heated subfloors should be turned off 24 hours prior to and during installation to prevent premature curing of the adhesive.

SHEET VINYL, VINYL TILE, TERRAZZO & CERAMIC TILE SUBFLOORS

All tiles or sheet goods must be firmly bonded to the subfloor. Make certain the sheet vinyl is a full spread system, perimeter installations are unacceptable. If materials are poorly bonded to the subfloor remove them down to the original subfloor and sand or scrape off all traces of old adhesive. Do not glue over heavy cushioned (1/4") sheet goods or rubber tile. New sheet vinyl must be coated with a primer. Old vinyl must be cleaned with TSP or equivalent cleaner to remove all wax and other coatings.

CAUTION: Sanding or removing tile flooring containing asbestos is a health hazard. If there is any doubt concerning the contents, professional abatement service should be contacted. Asbestos has been labeled a carcinogen.

PLYWOOD, ORIENTED STRAND BOARD (OSB), PARTICLEBOARD OR WOOD SUBFLOORS

CAUTION: Subfloors with high moisture content may shrink at a later date causing cracks to appear in the wood floor.

Before installing over any one of these subfloors, test for moisture using a reliable moisture meter such as the Tramex Wood Moisture Meter or equivalent. The moisture content should not exceed 12%. If it is over 12%, either wait until the subfloor is drier or stabilize the subfloor with an additional layer of 1/4" plywood. All joints in subflooring materials should have 1/8" expansion space around all panels. If expansion space is not present, cut around and through the panel joints with a circular saw. When installing a plywood sheet subfloor over concrete, use a 1/4" x 1/4" x 1/4" square notched trowel to apply adhesive. Score 3/8" deep every 8 to 10 inches on 4' x 4' sheets of 3/4" exterior. Set 4' x 4' sheets into wet adhesive. Apply weight as necessary and allow to cure overnight.


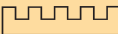
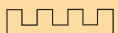

WOOD INSTALLATIONS

Smooth Spread 950 flows from the pail very easily. For best results, tip the pail carefully to dispense adhesive. Provide adequate ventilation and air movement. Ideally, installation should not begin until all wet work (painting, dry wall materials, etc.) is complete and the heating/air conditioning system is in operation. Jobsite temperature should be between 55 and 90 degrees Fahrenheit. Trowel only the amount of adhesive that can be covered in 30 minutes. Install wood flooring into wet adhesive only. Secure the first row with edge blocking or top nail with finishing or sprig nails. Tighten a side and end joints and reduce scooting by securing the flooring together with painters tape. Occasionally check for transfer to back of wood flooring. If adhesive transfer is less than 90% to the back of the plank scrape up the adhesive and apply fresh **Smooth Spread 950**. Apply weight to any bowed flooring and all floor mounted trim moldings. Remove all defective or unsightly boards immediately. The adhesive is very tenacious and flooring is difficult to remove after the adhesive has cured. Roll the floor with a 100 lb. roller every two to three hours during and immediately after installation.

LIMITATIONS

Adhesive will not prevent moisture-related damage to wood flooring installations. **Smooth Spread 950** adhesive is affected by humidity more than temperature. High humidity will cause the adhesive to cure faster and low humidity will slow the curing process. Do not use on wet, contaminated or friable substrates. Only engineered plank can be installed below grade due to the limitations in solid wood flooring such as lack of dimensional stability. After 8 or 12 hours, light traffic is allowed. Do not use as a leveling material. Cutback residue must be removed, or encapsulated prior to applying new adhesive.

TROWELS AND COVERAGE

Floor Type	Trowel	Coverage
multi-ply engineered plank 3/8" up to 1/2" and 5/16" to 3/8" solid strip	 3/16" x 3/16" x 5/32" V Notch	50 sq. feet/gal.
5/16" solid parquet, 1/4" engineered plank	 1/8" x 1/8" x 1/8" Square Notch	80 sq. feet/gal.
4' x 4' plywood	 1/4" x 1/4" x 1/4" Square Notch	35 sq. feet/gal.
Greater than 1/2" engineered plank, 3/4" parquet and solid plank greater than 3/8" up to 1/2"	 1/4" x 1/4" x 1/8" Square Notch	30 sq. feet/gal.

Use **Smooth Spread 950** adhesive with a properly notched trowel. Elegance Warranties do not cover problems caused by improper use of installation products. Follow flooring manufacturers written installation instructions.

CLEAN UP

- Remove excess urethane adhesive as soon as possible before it dries on the flooring surface. Clean up as you go. Cured urethane adhesive is very difficult to remove.
- Never attempt to remove **Smooth Spread 950** adhesive from tools or flooring with water as this will cause the adhesive to cure more rapidly.
- Remove residue before it dries with Elegance Urethane Adhesive Remover.
- Clean **Smooth Spread 950** adhesive from floor and tools while still wet with Elegance Urethane Adhesive Remover.

REUSE OF PARTIAL CONTAINERS

Cover pail with plastic trash bag or two layers of plastic film. Put cover on tightly. Turn over pail. This will seal contents from outside air. To open container, take off cover, cut plastic and remove thin layer of cured adhesive on surface.

SHELF LIFE

12 months when stored at 75° F and 50% relative humidity.

PRECAUTIONS

- Contains Methylene Diphenyl Diisocyanate and mineral spirits. May cause skin and/or eye irritation. May cause dermatitis and allergic responses. Potential skin and/or respiratory sensitizer. Inhalation of vapors may cause irritation and intoxication with headaches, dizziness, and nausea. See Material Safety Data Sheet for further information. Ingestion may cause irritation.
- **KEEP OUT OF REACH OF CHILDREN.** Avoid contact with skin, eyes and clothing. Wash thoroughly after handling. Avoid breathing vapors. Use only with adequate ventilation. Use impervious gloves, eye protection and if TLV is exceeded or if used in a poorly ventilated area, use NIOSH/MSMA approved respiratory protection in accordance with applicable federal, state and local regulations. **DO NOT** take internally. Empty container may contain hazardous residues. All warning labels must be observed until container is commercially cleaned or reconditioned.

FIRST AID

- In case of eye contact, flush thoroughly with water for at least 15 minutes. **SEEK IMMEDIATE MEDICAL ATTENTION.** In case of skin contact, wash affected areas with soap and water. If irritation persists, **SEEK MEDICAL ATTENTION.** Remove and wash all contaminated clothing. If inhalation causes physical discomfort, remove to fresh air. If discomfort persists, **SEEK MEDICAL ATTENTION.**

WASTE DISPOSAL METHOD:

Incinerate or bury in landfill in accordance with Federal, State and Local regulations. Incineration is the preferred method of disposal.

WARRANTY: This product is warranted to be free of manufacturing defects. If a manufacturing defect is found within one year from the date of purchase, such defective product shall be replaced. No warranty either expressed or implied is made regarding the performance of this product since conditions under which these goods are transported, stored, used or applied are beyond our control. This warranty is made in lieu of all other warranties either expressed or implied and the seller shall not be responsible for consequential, incidental, special or other damages no matter what the cause.

These directions are general guidelines for flooring installations. It is the responsibility of the installer to determine proper drying time of the adhesive, trowel size to be used and acceptability of subfloor conditions. Installations must also be in accordance with flooring manufacturers recommendations. Only flooring that is approved for glue down installations by the flooring manufacturer can be used with Smooth Spread 950. Floors installed with Smooth Spread 950 are not warranted against damage caused by wet mopping, flooding, plumbing leaks or other extraordinary circumstances. For any installation not herein recommended, contact Elegance before proceeding.

WARNING!



Children can fall into bucket and drown. Keep children away from bucket with even a small amount of liquid.